



CHIRANA
Medical

*Dental
Equipment*

Choose Comfort for you and your Patients



Chirana
Medical & Dental Company

DENTAL UNITS




PROUDLY MADE IN SLOVAKIA.



about us

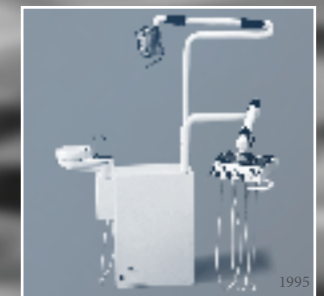
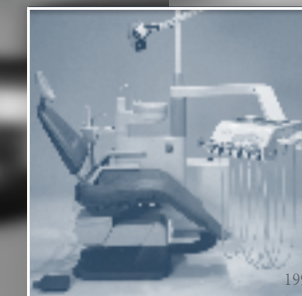
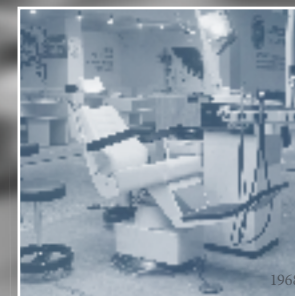
Chirana Medical

Our manufacturing foundation began in 1935, and Chirana Medical is now a world-wide recognized manufacturer of medical and dental equipment. Based in Stará Turá, Slovakia, EU, the exquisite quality of Chirana Medical products is guaranteed through our long tradition of manufacturing, the use of our own technical research and development, advanced quality control systems, the newest CNC machines and robotic technology, plus the highest quality European materials. Since 1967, our exceptional dental unit workforce has been creating reliable innovative technology, of the highest quality, with constant evolution. This has brought Chirana Medical to where it is today, with demand all over the world, and manufacturing representatives in 67 countries. Chirana Medical's dental product portfolio consists of dental units, patient chairs, doctor's and assistant's stools and exquisite dental handpieces. The main priority of Chirana Medical is to be an Eco-friendly company that manufactures products with a long-life expectancy and minimum maintenance required. With this in mind, optimal performance, health, safety and business success of dental professionals is our focus.

Chirana Medical North America

Chirana Medical North America was founded to represent our products in the North American market. Our team works closely with local dental communities to ensure that our products satisfy the needs of today's dentistry. Customer satisfaction is essential to us, therefore we emphasize the continuous development of product knowledge, communication and training of our independent authorized dealers and technicians. We offer you our product recommendations based on your dental clinic's needs, backed by our many years of experience. Whether you are building a new office or planning to update an existing operator, Chirana Medical North America can provide you with the best solution for your dental requirements and dream of the very best looking office.

Get ready to discover what Chirana Medical has to offer!



EFFECTIVE



When I first saw Chirana at an ODA show I was very curious if the wonderful and colourful units would be suitable for my clinic. I wanted a high-end unit with quality equipment. So I chose Chirana EFFECTIVE and after a couple of years when time came to replace the unit for my hygienist, I bought the EASY unit. Both units are very easy to operate, and my patients feel very comfortable. I always get compliments on the colour combination because it is original.

Dr. Jarmila Bergmann, DDS., Dentist & Business Owner - Clarkson Dental, Mississauga, Canada

Reliability and efficiency combined with an elegant and attractive design. Excellent ergonomics provide optimal access, intelligent control, and superior comfort for your patient. Designed to function intuitively and without unnecessary interruption for your peace of mind. That is Chirana Effective. Choosing the right configuration and the right instruments for you, is the most you have to do. For all the rest, you can rely on Chirana Effective.

FEATURES:

- Micro motor reverse function
- Instrument illumination ON/OFF switch
- Chair control, including programming
- Instrument cooling ON/Off switch
- Time adjustable cup fill and bowl rinse
- Instrument tubing disinfection ON/OFF switch
- STOP function for chair movement immediately stops the chair and simultaneously blocks the activation of instruments
- Instrument operation speed and power control
- Giromatic (endo) function electronically controlled
- Light and acoustic indication of required instrument maintenance
- Touch screen micro motor torque adjustments with "Auto Stop" function
- Chip-blow function with independently adjustable volume for each instrument
- Instrument light intensity regulation with light delay adjustment (up to 60 sec) after work completion



Dentist's Table with four or six instrument slots

You can choose a pantographic arm with the traditional delivery system or the continental (Euro/whip) system with angle adjustable holders and beds

Control Panel

Unit can be controlled by foil keypad with display or Multimedia Touch Screen



Assistant's Table

Comes with a foil keypad control panel that allows for up to four instruments, 3-way syringe (Luzzani, Chirana, DCI), High Volume Evacuator, Saliva Ejector, Curing Light and Arm (options: a regular short arm, an extended swivel arm or a pantographic arm). Control Panel functions: cup fill and bowl rinse, chair movement, water supply switch, OP light ON/OFF switch

Cuspidor Block

Removable and sterilizable pivoting ceramic bowl, Wet and Dry central suction systems (DURR, CANTTANI, Chirana ejector systems)



Foot Control

Multifunctional foot control FCR1-7 (7 functions) with optional wireless version FCR1-7 WL, or FCR1-9 (9 functions) with optional wireless version FCR1-9 WL

Additional Equipment Options

Multiple choices of Operatory Light, Extended Arm for OP Light, choice of colour for fiberglass and stainless-steel components, Monitor, Monitor Arm, additional trays, instrument tubing disinfection system, clean water bottle system, water supply switch (building or bottled water) and water heater



LIFT



I like that my LIFT unit has the continental style delivery choice because as we work all day long the ergonomics are important, plus the Flexi Arms really make a difference for me.

Dr. Dariusz Leszczynski, DDS. - Dr. Leszczynski Dentistry, Mississauga, Canada

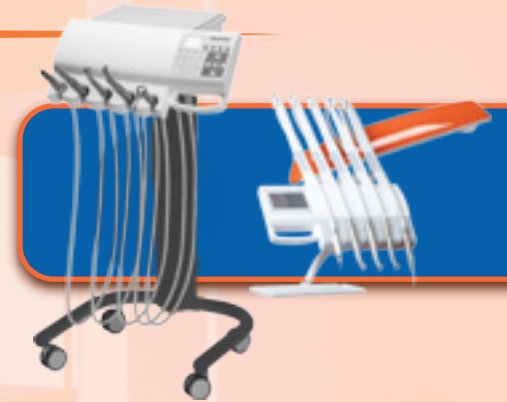
The perfect harmony of its features guarantees the high quality performance of Chirana Lift. Chirana Lift is a stationary treatment unit featuring a SIDE-LIFT concept. This allows more leg room under the chair, more flexibility and more comfort while you work, easily directing you to the perfect clinical outcome. Healthy posture, adequate positioning for the patient and freedom of movement is important, especially during long procedures. Attractive slim design, ergonomics, reliability and stability in one unit. Custom configurations and colours available will satisfy the requirements of any dental office.

FEATURES:

- Chip-blow function
- Micro motor reverse function
- Ready for use with LED instruments
- Time adjustable cup fill and bowl rinse
- STOP button to prevent chair movement
- Instrument tubing disinfection ON/OFF switch
- Instrument operation speed and power control
- Patient chair movement simultaneously stops when instrument is in use
- Giromatic (endo) function electronically controlled
- Instrument cooling and illumination ON/OFF switch
- Light and acoustic indication of required instrument maintenance

Dentist's Table with five instrument slots

You can choose a pantographic arm with the traditional delivery system or the continental (Euro/whip) system with angle adjustable holders and beds. Adjustable height delivery cart system



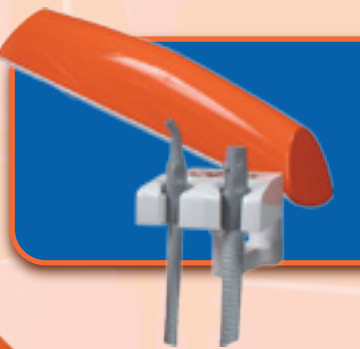
Control Panel

Unit can be controlled by foil keypad with display or Multimedia Touch Screen



Assistant's Table

Comes with a simple foil keypad control panel and allows for up to four instruments, 3-way syringe (Luzzani, Chirana, DCI), High Volume Evacuator, Saliva Ejector, Curing Light and Arm (options: a regular short arm, an extended swivel arm or a pantographic arm)



Foot Control

Basic foot control for instrument activation or with instrument cooling function
Multifunctional foot control FCR1-7 (7 functions) with optional wireless version FCR1-7 WL



Cuspidor Block

Removable and sterilizable pivoting ceramic bowl, Wet and Dry central suction systems (DURR, CANTTANI, Chirana ejector systems)



Additional Equipment Options

Multiple choices of Operatory Light, Extended Arm for OP Light, choice of colour for fiberglass and stainless-steel components, Monitor, Monitor Arm, additional trays, instrument tubing disinfection system, clean water bottle system, water supply switch (building or bottled water) and water heater

Patient Chair: SK1-01 or SK1-08

EASY



Chirana EASY is a great unit and also very easy to clean. We've had the Chirana equipment for 3 years now and there are no stains or tears. We are very satisfied with our choice of equipment.

Paula Kelly CDAII, TATA Coordinator/Dental assisting program
Cestar College of Business, Health and Technology, Toronto, Canada

Just take it "Easy" and rely on Chirana. Easy amazes you with its unique design while it smoothly enables a wide selection of equipment that meet the current, and constantly increasing, demands on workplace ergonomics. This unit is also available in a stationary version, independent from the patient chair.

You can combine the standard colour of white with any of the colours available in the Chirana colour palette.

FEATURES:

- Chip-blow function
- Micro motor reverse function
- Ready for use with LED instruments
- Integrated back flow prevention valve
- Time adjustable cup fill and bowl rinse
- STOP button to prevent chair movement
- Instrument tubing disinfection ON/OFF switch
- Instrument operation speed and power control
- Giromatic (endo) function electronically controlled
- Instrument cooling and illumination ON/OFF switch
- Light and acoustic indication of required instrument maintenance
- Patient chair movement simultaneously stops when instrument is in use



Dentist's Table with five instrument slots

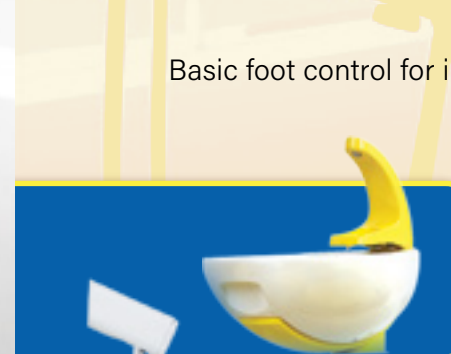
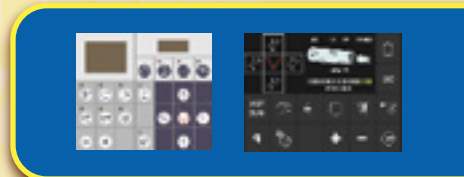
You can choose a pantographic arm with the traditional delivery system or the continental (Euro/whip) system with angle adjustable holders and beds. Adjustable height delivery cart system.



Assistant's Table

Comes with a simple foil keypad control panel and allows for up to four instruments, 3-way A/W syringe (Luzzani, Chirana, DCI), High Volume Evacuator (up to 2), Saliva Ejector, Curing Light and Arm (options: a regular short arm, an extended swivel arm or a pantographic arm).

Control Panel
Unit can be controlled by foil keypad with display or Multimedia Touch Screen



Foot Control

Basic foot control for instrument activation or with instrument cooling function. Multifunctional foot control FCR1-7 (7 functions) with optional wireless version FCR1-7 WL.



Cuspidor Block

Removable and sterilizable pivoting ceramic bowl, Wet and Dry central suction systems (DURR, CANTTANI, Chirana ejector systems).



Additional Equipment Options

Extended arm for Operatory Light, Intraoral Camera arm, Monitor, Monitor Arm, additional trays, instrument tubing disinfection system, clean water bottle system, water supply switch (building or bottled water) and water heater.



Patient Chair: SK1-01 or SK1-08



UNI



Our training room looks sharp with our Chirana chairs. But the most important part is that they all work well and our students feel comfortable using them.

Dr. Raymond C. Bucoy, Intra Oral Dental Assisting Program
Anderson College of Health, Business and Technology Toronto, Ontario

Uni is Chirana's ambidextrous option. The unique design of this unit allows for left and right handed users, with a specific set up for hygienists to work alone in the 12 o'clock position. It is an extremely popular unit with Orthodontic Dentists as well. Set up this unit according to your specific needs by starting with the basic equipment, including the patient chair and dentist table, then adding an optional cuspidor block, operatory light and/or assistant table.

FEATURES:

- Chip-blow function
- Micro motor reverse function
- Ready for use with LED instruments
- Time adjustable cup fill and bowl rinse
- STOP button to prevent chair movement
- Instrument tubing disinfection ON/OFF switch
- Instrument operation speed and power control
- Giromatic (endo) function electronically controlled
- Instrument cooling and illumination ON/OFF switch
- Low voltage power supply for the unit and chair
- Light and acoustic indication of required instrument maintenance
- Patient chair movement simultaneously stops when instrument is in use



Dentist's Table with five instrument slots

Traditional delivery system on a pantographic swiveling arm. Optional High Volume Evacuator and Saliva Ejector allows for a single person operation



Assistant's Table

High Volume Evacuator and Saliva Ejector or tray on pantographic swiveling arm if suction group is placed on a Dentist's Table



Control Panel

Multifunctional foil keypad
Optional 2nd swiveling arm



Cuspidor Block (optional)

Removable and sterilizable pivoting ceramic bowl, optional Sterisil Cartridge to purify and treat water connected to a dental unit, Wet and Dry central suction systems (DURR or Chirana ejector systems)



Foot Control

Basic foot control with instrument activation or instrument cooling function
Multifunctional foot control FCR1-7 (7 functions) with optional wireless version FCR1-7 WL

Additional Equipment Options

Multiple choices of Operatory Light with column for arm, Monitor, Monitor Arm, additional trays, instrument tubing disinfection system, clean water bottle system



Patient Chair: SK1-01

SMILE MINI



I am happy with my Smile Unit and would recommend Chirana to everyone because even though my unit was not expensive, I know I bought a quality product that will last.

Slavko Ljubinkovic, Business Owner/ Dental Technician - Weber Dental Laboratory, Etobicoke Ontario

Smile MINI represents the most space saving and economical solution for your dental office. Without any compromise on quality, its excellent ergonomics, reliability and functionality is complemented by a sleek, modern, minimalist design. A wide selection of instruments are available to fit your specific dental needs.

FEATURES:

- Micro motor reverse function
- Ready for use with LED instruments
- Integrated back flow prevention valve
- Time adjustable cup fill and bowl rinse
- STOP button to prevent chair movement
- Instrument operation speed and power control
- Giromatic (endo) function electronically controlled
- Instrument cooling and illumination ON/OFF switch
- Patient chair movement simultaneously stops when instrument is in use
- Standard white unit body colour



Dentist's Table for up to five instruments

You can choose a continental (Euro/whip) system with angle adjustable holders and beds or a pantographic arm with the traditional delivery system with a manual brake. Adjustable functions available



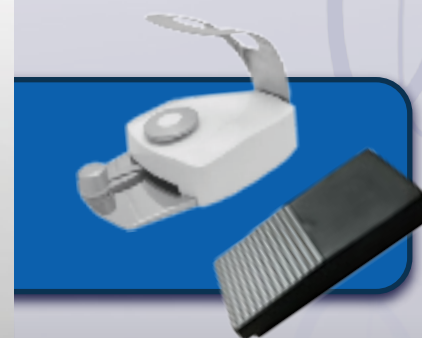
Assistant's Table

Comes with a simple foil keypad control panel and two instruments, High Volume Evacuator, Saliva Ejector, and a regular short arm



Control Panel

Two multifunctional foil keypad options



Foot Control

Basic foot control
Multifunctional FCR1-6
(6 functions - no water switch)



Cuspidor Block

Removable and sterilizable pivoting ceramic bowl, Wet and Dry central suction systems (DURR or CATTANI systems). Saliva Ejector and High Volume Evacuator are directly attached (without arm and assistant's table) to save space and improve access

Additional Equipment Options

Multiple choices of Operatory Light with arm, clean water bottle system, fixation plate, protective seat cover, child booster



PATIENT CHAIRS

FEATURES:

- Four programmable working positions
- Joystick style foot control
- Safety switches - as standard equipment
- Load capacity of up to 200kg (440lbs)
- Double articulated headrest
- Soft or Extra-Soft upholstery options
- Upholstery for armrest options
- 2 independent built-in low voltage motors for lift and backrest
- Practical and slim design significantly saves dental office space
- All dental unit connections (air, water, drain & power supply) are fully covered and located under the chair
- More accessories available as options



SK1-01



SK1-08

FEATURES:

- Four programmable working positions for up to four users
- Lift and Back safety switches
- Load capacity of up to 200kg (440lbs)
- Enlarged anatomical backrest
- Double articulated headrest
- Trendelenburg movement optional
- Extra-Soft upholstery - as standard feature
- Left and right armrest upholstery optional
- 2 independent built-in low voltage motors for lift and backrest
- More accessories available as options

OPTIONAL FEATURE:

Trendelenburg movement provides gentle angle adjustment, and footrest automatically tilts to match the tilt of the backrest



OPTIONAL ACCESSORIES: Anatomical child booster seat, Seat upholstery protective pad

CHIRANA STOOLS

At Chirana Medical we take pride in our design, and we also take pride in focusing the comfort of the dental team. We all know that some dental procedures can take hours, therefore we provide ergonomic seating solutions that will also meet your office look requirements in a modern way. The same high-quality upholstery of our Chirana Patient chairs is used on the Chirana Smile 3 and the Chirana Smile 5 stools. A large variety of colours are available to match your office style. Both Smile 3 and Smile 5 are available in two height range options - D50 and K5.

Chirana Smile 3

Doctor's stool

Chirana Smile 5

Assistant's stool



AVAILABLE COLOURS



TYPE	LOWEST POSITION	HIGHEST POSITION
D50	470mm (18.5")	520mm (20.47")
K5	600mm (23.6")	720mm (28.35")

OPERATORY LIGHTS

Lighting is crucial for optimal performance, as well as the health and safety of the dentist, the staff and their patients. Appropriate lighting, without glare or shadows, reduces eye fatigue, headaches and prevents early eyesight deterioration. Proper lighting is most essential to avoid unwanted incidents. Chirana offers a range of high-performance operator lights, which provide the right illumination for maximum comfort and productivity.

FARO MAIA

FARO MAIA is a high-performance LED operator light with the Faro patented optical system. Two parabolas with 258 small reflecting facets scramble the direct light of the two LEDs and create a uniform illuminated spot of 175 x 100 mm. This eliminates the risk of glare and protects the patient's eyes. It has adjustable light intensity of 3,000 to 35,000 Lux. The removable handles are sterilizable.



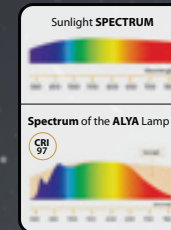
LED-A

A great value for an amazing price. LED-A is a high-quality LED operator light with an adjustable light intensity of 7,000 to 38,000 Lux. It matches well with any of the Chirana units and meets the needs of any dental practice due to its contemporary slim design.

It can be operated by a joystick switch or by sensor. Attached to a L600 arm, the LED-A light can be positioned in three axes. The handles are removable and sterilizable for high quality infection control.



FARO ALYA



A new standard in the art of LED technology has been set by the FARO ALYA. Sunlight is the best lighting. It not only illuminates very small details in objects and figures, most importantly it gives you the perfect rendering of colour.

FARO ALYA reproduces up to 95% of the Sun's spectrum. It has adjustable light intensity of 3,000 to 50,000 Lux, and comes in two versions, with a joystick switch or sensor operated.

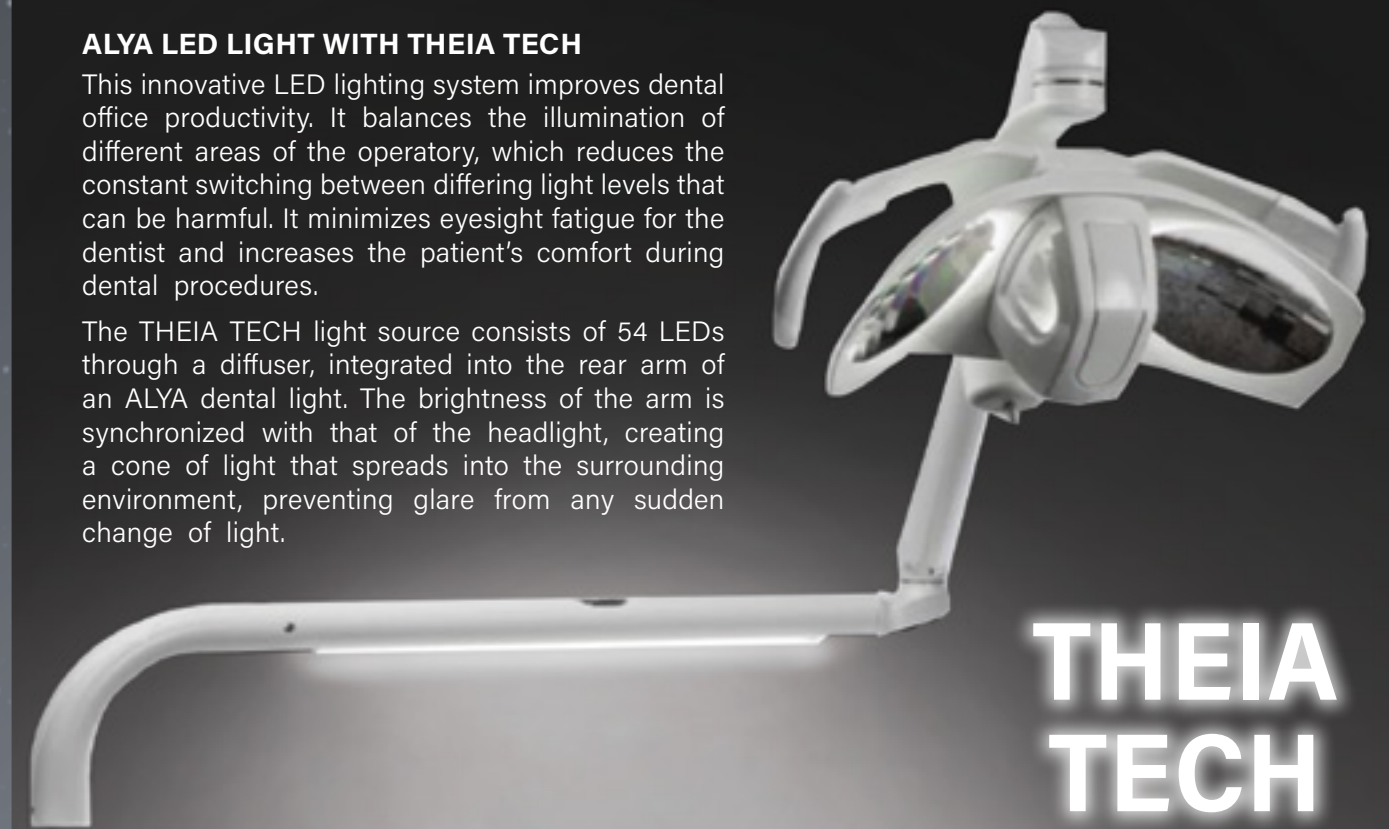


 **CHIRANA**
Medical

ALYA LED LIGHT WITH THEIA TECH

This innovative LED lighting system improves dental office productivity. It balances the illumination of different areas of the operator, which reduces the constant switching between differing light levels that can be harmful. It minimizes eyesight fatigue for the dentist and increases the patient's comfort during dental procedures.

The THEIA TECH light source consists of 54 LEDs through a diffuser, integrated into the rear arm of an ALYA dental light. The brightness of the arm is synchronized with that of the headlight, creating a cone of light that spreads into the surrounding environment, preventing glare from any sudden change of light.



**THEIA
TECH**

FLEXI ARMS

Perfect ergonomics are key in reducing work related stress, eliminating muscle overuse injuries and disorders, reducing repeated movements and especially enabling good posture. All of our equipment is designed to promote a safe working environment to protect your health and your career. FLEXI ARMS alleviate the weight of dental instruments, reducing your wrist strain and providing easy access to your patient's oral cavity. Using our FLEXI ARMS may seem strange at first, but you will quickly discover that using them can become one of the best decisions you have made. All of our features and ergonomics are designed to help you work safely and efficiently. Choosing Chirana's continental (Euro/whip) delivery system of your Dentist's table and Chirana's FLEXI ARMS are features you will be thankful for, for many years to come.



DENTIST'S TABLE

Chirana dentist's tables are able to hold 4, 5 or 6 instruments, and represent the most sophisticated tool solution. The optical sensors and adjustable holders are in removable and sterilizable silicone beds to ensure the highest standards of hygiene.

The dentist's tables are available with traditional delivery system or continental (Euro/whip) system with FLEXI ARMS.

Have the table on the pantographic arm with manual or pneumatic brake, or the cart option using the traditional delivery system.



FOOT CONTROL

CHIRANA Multifunctional foot controls control both the unit and the chair and provide the most ergonomic way to work.

The foot control FCR 1-9 comes with side buttons that are pre-programmed for lighting control and easycup-filling.

The CHIRANA Multifunctional foot control also has a wireless version with exceptional wireless compatibility and a long operating capability (built-in battery can operate 3 to 6 months before needing a recharge).



CUSPIDOR BLOCK

Absolutely impeccable external infection control is as important to us as it is a crucial element of safe dental procedures. The cuspidor block is one of Chirana's reliable infection control components. The cuspidor is a pivoting ceramic bowl that is designed for worry-free service and maintenance. It is easily detachable and auto-clavable to ensure the highest standards of hygiene. It also has a programmable cup filling and bowl rinsing time feature.



REPLACEABLE FILTERS



Clean water and dental unit infection control have always been an essential part of Chirana's dental unit designs. Ensuring a risk-free treatment environment for patients and easier maintenance for dental staff, each unit's filters are placed in a position which provides easy access to maintain the highest hygienic requirements.

CHIRANA IN COLOUR

According to modern colour theory, everyday colours have a significant impact on human behavior and how we feel. Therefore, colour makes all the difference when designing your new office or matching your new unit to your existing look and style.

Colour can instantaneously influence our decision-making processes and our perceptions of a person, brand or establishment. Selecting the right colour for your dental office is important to make sure your patients feel comfortable. Plus, you and your staff work there every day, so it should be a pleasing colour environment. Uniquely, Chirana presents you with an amazing set of colour options of high quality Stamskin upholstery, fiberglass and stainless-steel components for your unit. Use the chart below to find the colours that work the best for you and your work environment.

			
Sahara	Capucine	Baltic	Mist
			
Peony	Yellow	Turquoise	Chocolate
			
Burgundy	Lichen	Oslo	Havana
			
Carmine Red	Bamboo	Capri	Brandy
			
Cinnabar Red	Cedra	Ink	Taupe
COLOURS			
			
	Mouse Grey	Black	



FEATURE COMPARISON CHART



EFFECTIVE

LIFT

EASY

UNI

SMILE MINI

FEATURES	DENTIST'S TABLE	TRAY UNDER DENTIST'S TABLE	SMALL ADDITIONAL SIDE TRAY	DENTIST'S TABLE PANTOGRAPHIC ARM	CONTROL PANEL	CUSPIDOR BLOCK	INSTRUMENT TUBING DISINFECTION CYCLE	CLEAN WATER SYSTEM	ASSISTANT'S ARM	ASSISTANT'S TABLE	OPERATORY LIGHT ARM ON POST	MONITOR ARM	TRAY ARM	TRAY ON POST OPTIONS	FOOT CONTROL OPTIONS	OPERATORY LIGHT OPTIONS	PATIENT CHAIR OPTIONS
EFFECTIVE	EFFECTIVE table with 4 or 6 positions	1 or 2 trays (silicone, or stainless steel), 1 large stainless steel with continental delivery	NO	Mechanical or pneumatic brake	Foil keypad(s) or Touch screen	EFFECTIVE attached to the chair (cuspidor is a standard feature)	Optional	Optional	simple short, extended, or pantographic	2 or 4 instrument positions 2 HVE+1 SE options available	Chirana arm with colour option Faro arm L855 LED-A arm L600	Effective	Simple Pantographic	1 or 2 trays (silicone, or stainless steel), large stainless steel	Basic or Multifunctional (FCR1-7, FCR 1-7WL, FCR 1-9, FCR 1-9WL)	No OP light, LED-A, FARO MAIA, FARO ALYA, FARO ALYA with sensor	SK1-01 or SK1-08
LIFT	EASY table with 5 positions, cart option with traditional delivery system	1 or 2 trays (silicone, or stainless steel), 1 large stainless steel with continental delivery	YES	Mechanical or pneumatic brake	Foil keypad or Touch screen	LIFT mounted to the floor (cuspidor is a standard feature)	Optional	Optional	simple short, extended, or pantographic	2 or 4 instrument positions, 2 HVE+1 SE options available	Chirana arm with colour option Faro arm L855 LED-A arm L600	Effective	Simple Pantographic	1 or 2 trays (silicone, or stainless steel), large stainless steel	Basic or Multifunctional (FCR1-7 FCR 1-7WL)	No OP light, LED-A, FARO MAIA, FARO ALYA, FARO ALYA with sensor	SK1-01 or SK1-08
EASY	EASY table with 5 positions, cart option with traditional delivery system	1 or 2 trays (silicone, or stainless steel), 1 large stainless steel with continental delivery	YES	Mechanical or pneumatic brake	Foil keypad or Touch screen	EASY attached to the chair (cuspidor is a standard feature)	Optional	Optional	simple short, extended, pantographic	2 or 4 positions 2 HVE+1 SE options available	Faro arm L855 LED-A arm L600	Easy	Simple	1 or 2 trays (silicone, or stainless steel), large stainless steel	Basic or Multifunctional (FCR1-7 FCR 1-7WL)	LED-A, FARO MAIA, FARO ALYA	SK1-01 or SK1-08
UNI	UNI table with 5 positions	None	NO	Spring Operated (no manual or pneumatic brake)	Foil keypad	EASY attached to the chair (cuspidor is an optional feature)	Optional with cuspidor block	Optional with cuspidor block	UNI pantographic arm	2 positions without keypad, Tray only	Faro arm L855 LED-A arm L600	Easy	Simple	1 or 2 trays (silicone, or stainless steel), large stainless steel	Basic or Multifunctional (FCR1-7 FCR 1-7WL)	No OP light, LED-A, FARO MAIA, FARO ALYA	SK1-01
SMILE MINI	MINI table with 4 or 5 positions	1 or 2 trays (silicone, or stainless steel), 1 large stainless steel with continental delivery	NO	Mechanical brake only	Foil keypad	MINI attached to the chair (cuspidor is a standard feature)	None	None	without arm or simple short arm	2 positions without keypad, Easy with 2 positions and keypad	Faro arm L855 LED-A arm L600	Easy	Simple	1 or 2 trays (silicone, or stainless steel), large stainless steel	Basic or Multifunctional (FCR 1-6 - no water switch)	LED-A, FARO MAIA, FARO ALYA	SK1-01



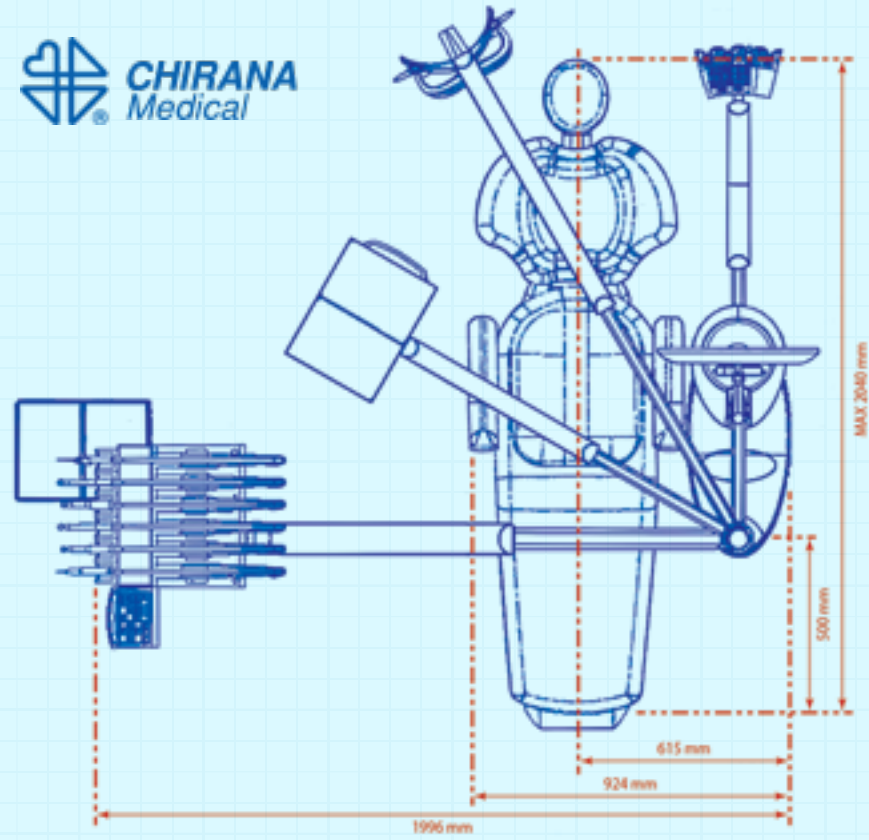
CHIRANA Medical

Chirana Dental units provide intuitive control through modern touch screens with user friendly interfaces.

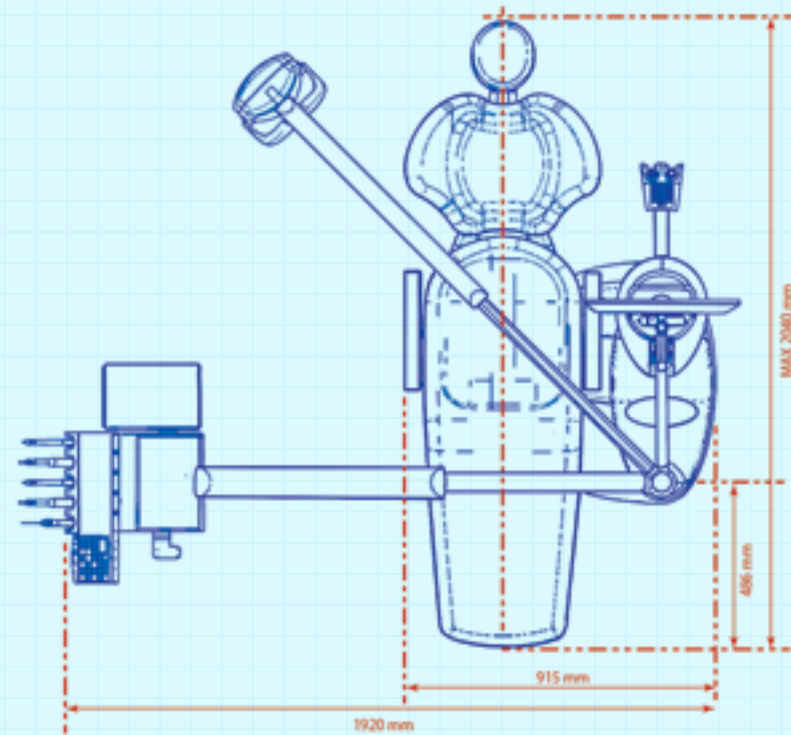


Function Comparison Chart

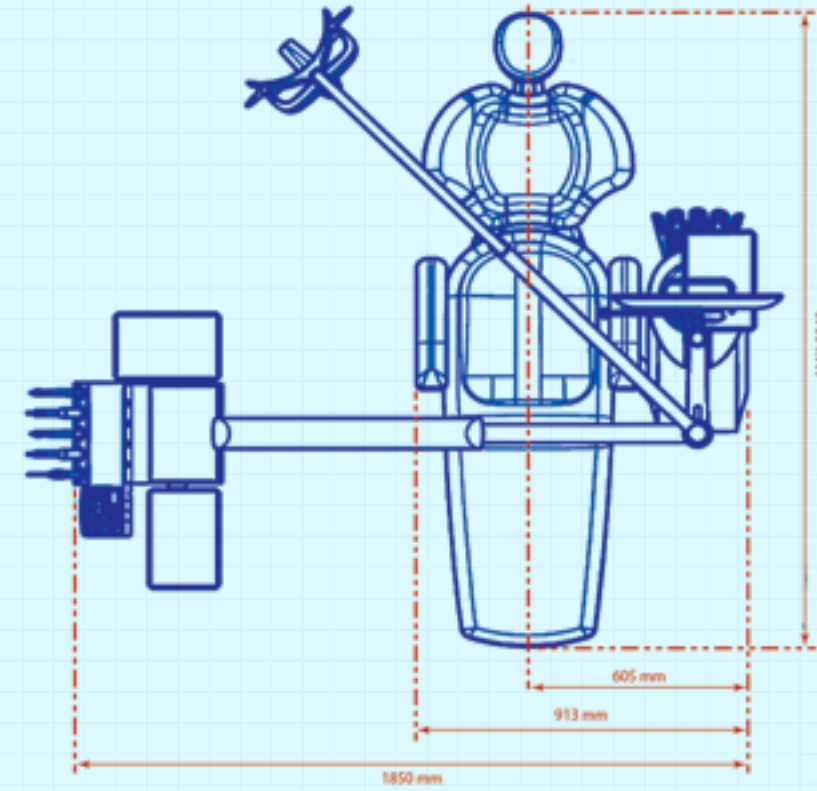
FUNCTIONS	EFFECTIVE	LIFT	EASY	UNI	SMILE MINI
Electronic Instrument Cooling Regulation	optional	optional	optional	optional	NO
Mechanical Water Regulation for each separate instrument	NO	YES	YES	YES	YES
Electronic Cooling Air Regulation	optional	NO	NO	NO	NO
Micromotor reverse function / Endo function for scaler with Woodpecker	YES	YES	YES	YES	YES
Automatic Instrument Blowing - Chip blower	YES	YES	YES	YES	NO
Choice between Manual Control and Foot Control (hand button)	YES	YES	YES	YES	NO
Instrument Light Turn-Off function	YES	YES	YES	YES	YES (5-instrument dentist's table required)
Low Speed Micromotor regulation (from 60 rpm)	YES	optional	optional	optional	NO
Micromotor Torque Limiter with auto STOP function	YES	NO	NO	NO	NO
'Instrument Treatment Due' indicator (every 20 min of use/Smioil)	YES	YES	YES	YES	NO
Volume Adjustment Indicator Reduction/Increase (power, spray, times...)	YES	YES	YES	YES	YES
Additional Function: Doorbell	YES	NO	NO	NO	NO
Programming Functions: cup fill and bowl rinse timer, automatic instrument light switch-off timer, cooling water amount, etc.	YES	YES	YES	YES	NO
After treatment, Automatic Cuspidor Bowl Rinse start	YES	NO	NO	NO	NO
Operator Light Control from dentist's table / assistant's table	YES	YES	YES	YES	NO
Operator Light Automatic turn on/off when patient chair moves	YES	NO	NO	NO	NO
Safety STOP function -triangle button	YES	YES	YES	YES	YES
Number of Programmable Users	4 with touch screen or SK1-08	4 with touch screen or SK1-08	4 with touch screen or SK1-08	1 user	1 user



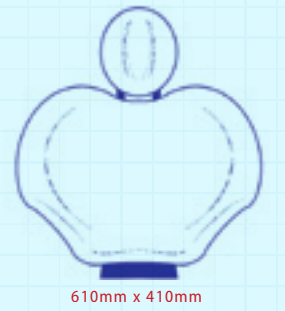
EFFECTIVE



LIFT



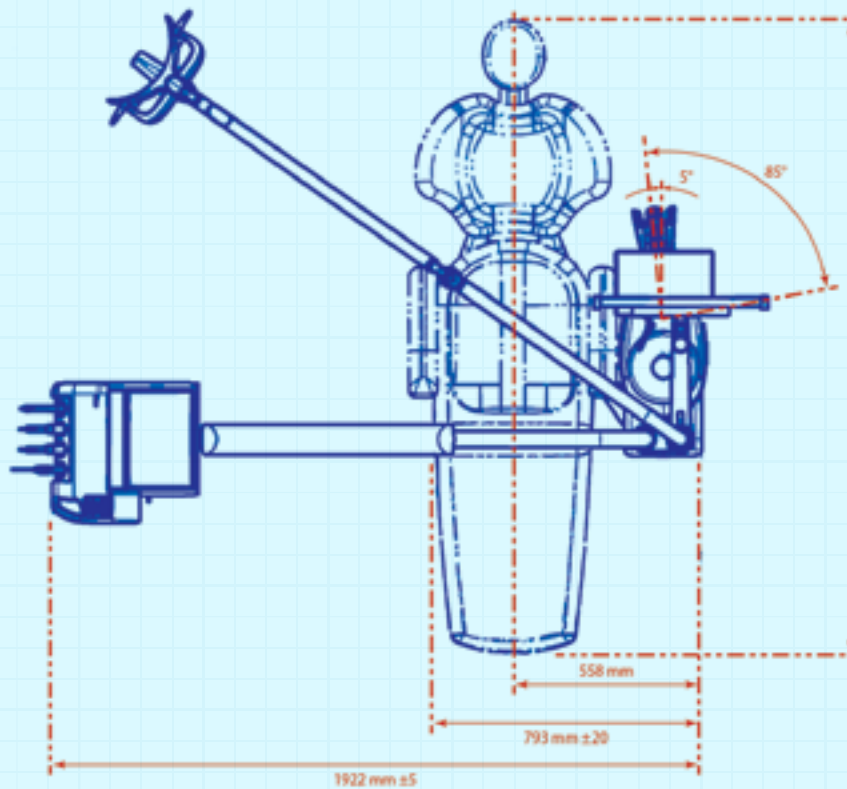
EASY



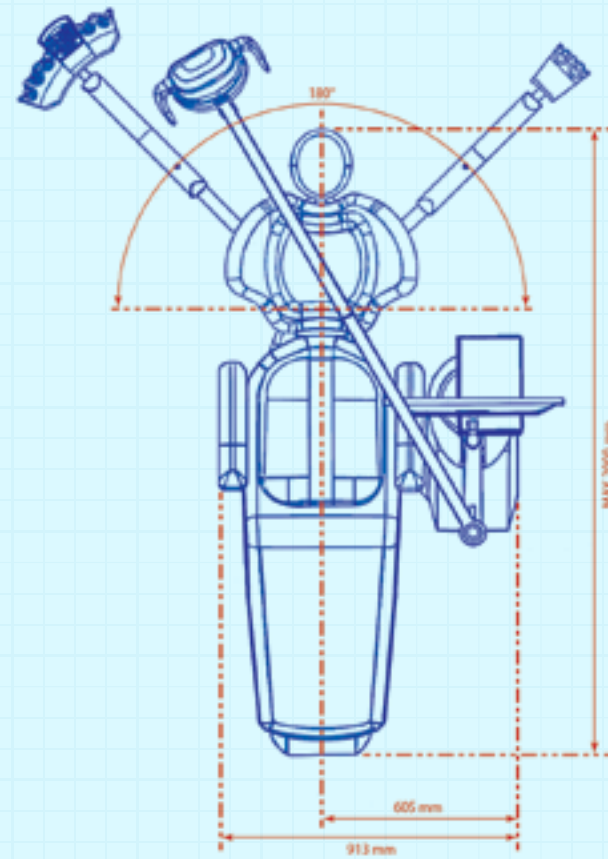
SK1-01



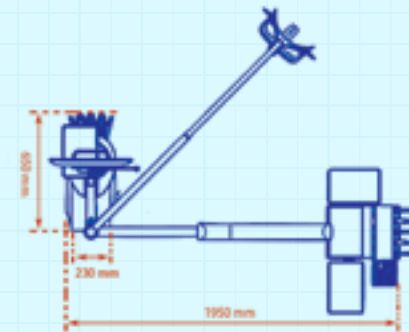
SK1-08



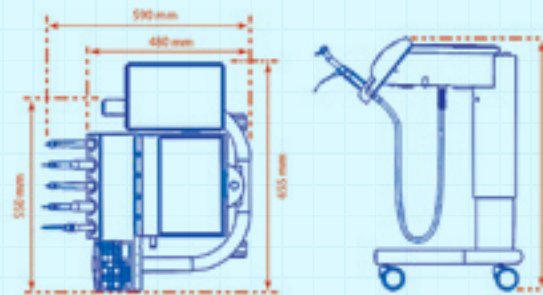
SMILE MINI



UNI



EASY STATION



EASY CART



CHIRANA
SCHEMATICS

CLIENT:
Chirana Medical

LOCATION:
Slovak Republic

REVISION:
July 2021

DRAWING:
L5

JOB#
A567

chirana.ca



CHIRANA

Choose Comfort for you and your Patients



Manufacturer:

Chirana Medical, a.s.

91601 Stará Turá
Slovak Republic

www.chirana.eu

North American Representative:

Chirana Medical North America

1287 Matheson Blvd. East
Mississauga, ON L4W 1R1

Tel: 647-367-8874
info@chirana.ca

www.chirana.ca

Your Authorized Dealer

DENTAL FIX
 (866) 740 8829
inquiries@dentalfix.ca
www.dentalfix.ca

